

READ THOROUGHLY BEFORE INSTALLATION

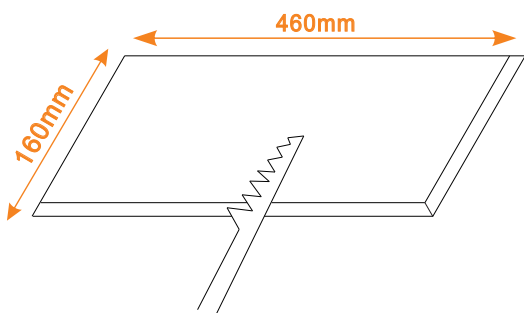
 CAUTION RISK OF ELECTRIC SHOCK

These instructions do not intend to cover all details or variations in the fitting or provide for every possible contingency to be met in connection with installation, operation, or maintenance. Should further information be required or should any issues arise, please contact ADUROLIGHT.

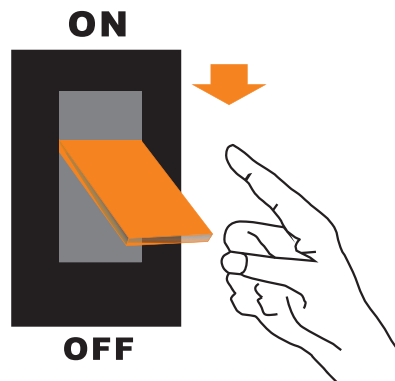
Installation

1. Cut a hole in the ceiling.

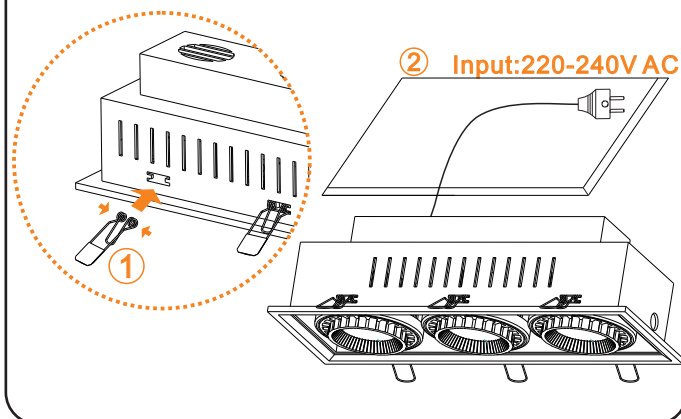
HOLE SIZE:



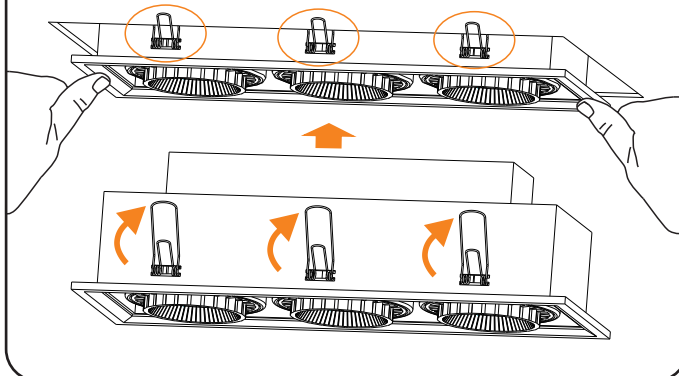
2. Switch off power.



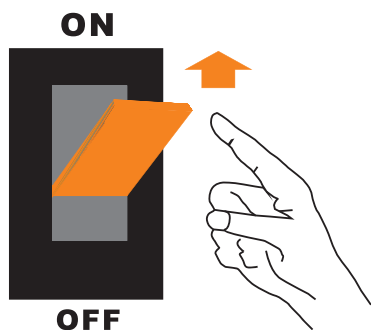
3. ① Install the springs to the light as shown below.
② Connect the driver to the mains.



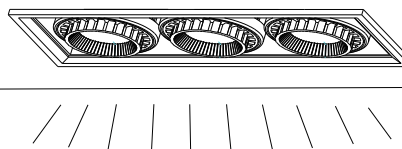
4. Adjust the spring angle by lifting up the longer part of the spring, install the lamp into the mounting hole leaving the shorter part of the spring outside.



5. Turn on the power to make sure your light is working.



6. Your light is installed.



Reminder: Transportation might cause loosen parts, please buckle the lamp cup back into the middle of the fixture..