

XCm

Stainless Steel Multistage Centrifugal Pump



Application

- Can be used to transfer clean water or other liquids similar to water in physical and chemical properties
- Suitable for industrial use and urban water supply, domestic water supply, high rise buildings, long distance water transfer and related auxiliary equipment etc.

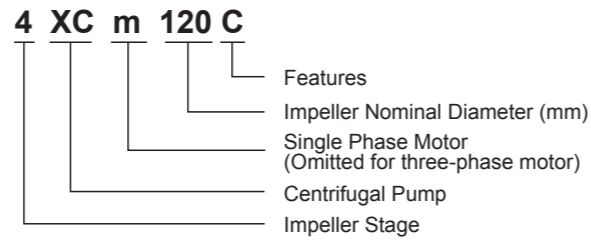
Pump

- Stainless steel pump body
- AISI 304 shaft
- Max. liquid temperature: +40°C
- Max. suction: +8 m

Motor

- C&U bearing
- Motor with copper winding
- Built-in thermal protector for single phase motor
- Insulation class: F
- Protection class: IPX4
- Max. ambient Temperature: +40°C

Identification Codes

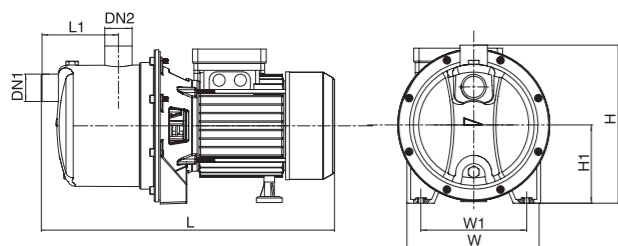


Technical Data

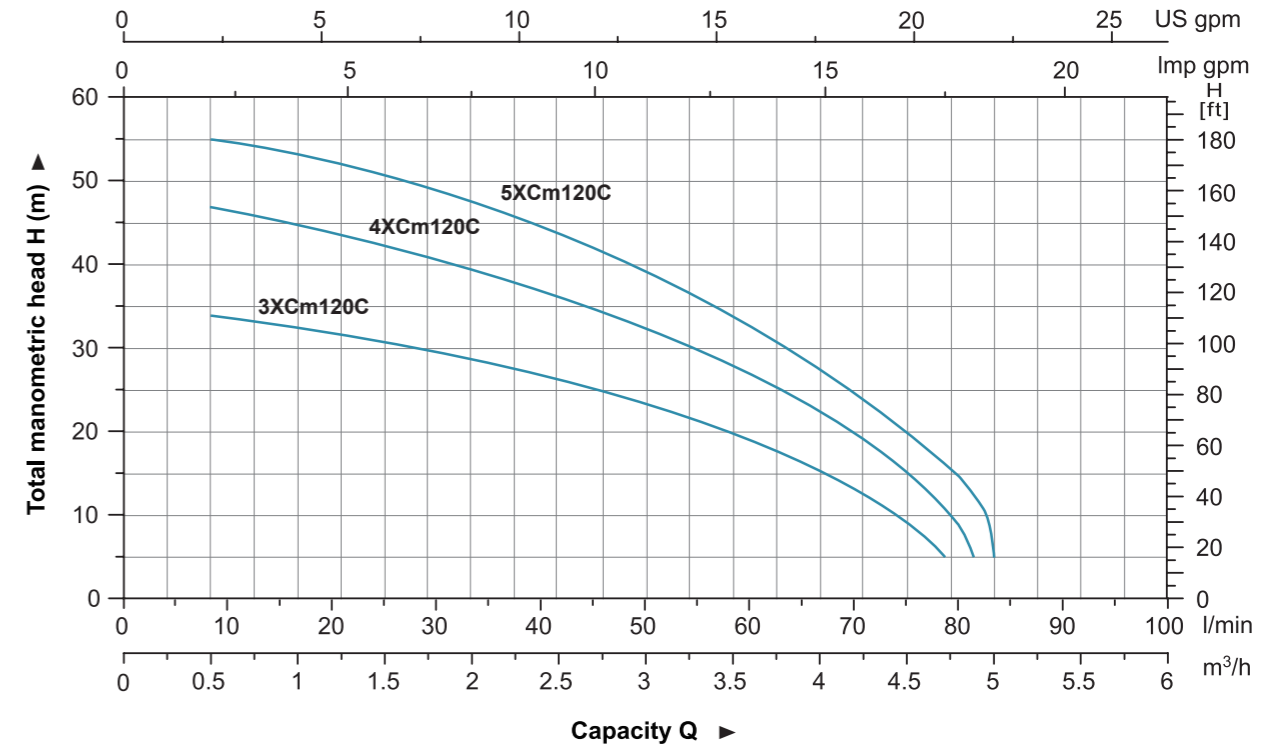
| Model | | POWER | | Q (m³/h) | | | | | | | | | | | | | | | | | | | | | |
|--------------|-------------|-------|-----|----------|------|------|------|-----|------|------|------|-----|------|---|-----------|----|----|----|----|----|----|----|----|----|----|
| Single Phase | Three Phase | kW | HP | 0 | 0.6 | 1.2 | 1.8 | 2.4 | 3 | 3.6 | 4.2 | 4.8 | 4.9 | 5 | Q (l/min) | | | | | | | | | | |
| | | | | H (m) | | | | | | | | | | | | | | | | | | | | | |
| 3XCm120C | — | 0.6 | 0.8 | 34 | 33 | 31.5 | 29 | 26 | 22 | 17.5 | 11.5 | 3.5 | - | - | 0 | 10 | 20 | 30 | 40 | 50 | 60 | 70 | 80 | 82 | 84 |
| 4XCm120C | 4XC120C | 0.75 | 1 | 48 | 45.5 | 42.5 | 39.5 | 36 | 31.5 | 26 | 18.8 | 9 | 3 | - | | | | | | | | | | | |
| 5XCm120C | 5XC120C | 0.9 | 1.2 | 56.5 | 54.5 | 52 | 48.2 | 44 | 38.5 | 32 | 24 | 15 | 12.5 | 3 | | | | | | | | | | | |

Dimension

| Model | DN1 | DN2 | L (mm) | W (mm) | H (mm) | L1 (mm) | W1 (mm) | H1 (mm) |
|----------|-----|-----|--------|--------|--------|---------|---------|---------|
| 3XCm120C | 1" | 1" | 362 | 174 | 208 | 77 | 140 | 103 |
| 4XCm120C | 1" | 1" | 386 | 174 | 208 | 104 | 140 | 103 |
| 5XCm120C | 1" | 1" | 410 | 174 | 208 | 125 | 140 | 103 |

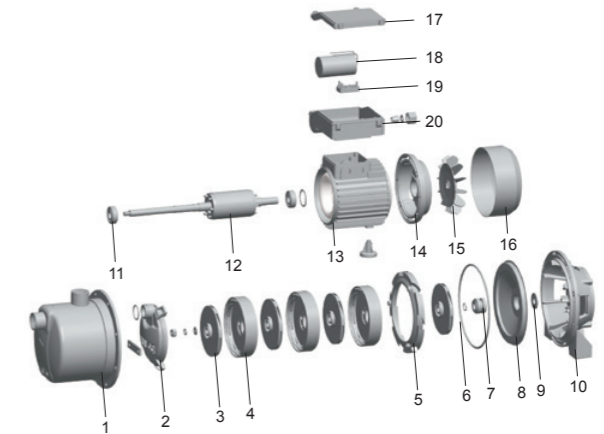


Hydraulic Performance Curves



Materials Table

| No. | Part | Material |
|-----|-----------------|----------------|
| 1 | Pump body | AISI 304 |
| 2 | Pump cover | PPO |
| 3 | Impeller | PPO |
| 4 | Diffuser | PPO |
| 5 | Impeller | PPO |
| 6 | O-ring | NBR |
| 7 | Mechanical seal | Carbon/Ceramic |
| 8 | Bracket cover | AISI 304 |
| 9 | Rubber washer | |
| 10 | Support | ZL102 |
| 11 | Ball bearing | |
| 12 | Rotor | |
| 13 | Stator | |
| 14 | Rear cover | ZL102 |
| 15 | Fan | PP |
| 16 | Fan cover | 08F |
| 17 | Terminal cover | ABS |
| 18 | Capacitor | |
| 19 | Terminal | |
| 20 | Terminal box | ABS |



Package Information

| Model | GW (Kgs) | L (mm) | W (mm) | H (mm) | Quantity (PCS/20' TEU) |
|----------|----------|--------|--------|--------|------------------------|
| 3XCm120C | 9.5 | 405 | 235 | 265 | 1072 |
| 4XCm120C | 10.5 | 430 | 235 | 265 | 1008 |
| 5XCm120C | 11.5 | 455 | 235 | 265 | 960 |

