

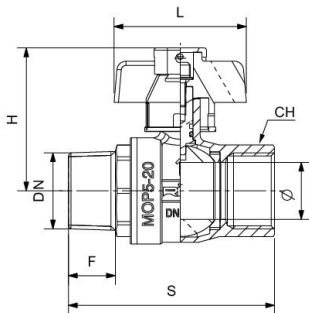


RIV 5056

Ball valve M/F (Professional series)
full bore
Extra-Lock brass tamperproof butterfly handle

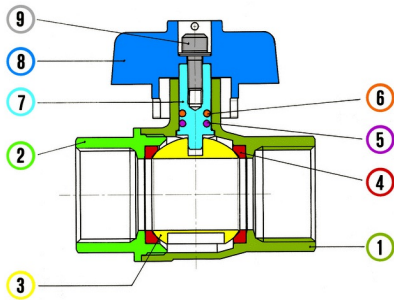
Tech drawings and tables

DN	Code	Ø	F	H	L	S	PN	KG	P/box
1/2"	025056000004	15	16	51	53	66	64	0,294	10
3/4"	025056000005	20	17,5	58	58	76	40	0,404	10
1"	025056000007	25	21	63	58	91	40	0,609	10



Technical data

Art. 5051



Materials

1	Body	Brass	CW617N	Nickel-plated
2	Body end	Brass	CW617N	Nickel-plated
3	Ball	Brass	CW617N	Chrome-plated
4	Seats	P.T.F.E.		
5	O-Ring	FKM		
6	O-Ring	NBR		
7	Stem	Brass	CW614N	
8	Butterfly handle	Brass		
9	Screw	Brass		

Connections

Limit

Notes

The max.working pressure (PN) means at a room temperature of about 23°C.